

OPERATING INSTRUCTIONS

for baths with Aqua-Comfort



Always read the operating instructions carefully before using the bath with Aqua-Comfort!

Make sure that you observe the care instructions!

RepaBAD cannot be held liable for damages caused by inappropriate use.

CONGRATULATIONS!

You have chosen an innovative, premium product from Repabad.
Our products combine impressive technology with ease of use.

Please read these operating instructions carefully, so that you can best use the bath with Aqua-Comfort to improve your well-being and enjoy the product for many years to come.



Gunther Stolz

Managing Director, Repabad GmbH



01	SAFETY INFORMATION	4
02	WELLNESS TIPS	4
03	DESIGN	5
04	BEFORE USE	5
05	DURING USE	5
	Safety shutdown	5
	Loudspeaker safety shutdown	6
06	AFTER USE	6
07	MANUAL BLOW-OUT	6
08	DISINFECTION	6
09	SERVICING	7
	Cleaning the nozzles	7
10	NOZZLE FUNCTION AND STRUCTURE	7
11	CLEANING THE DRAIN FILTER, ADJUSTING THE DRAIN PLUG	8
12	TROUBLESHOOTING TECHNICAL PROBLEMS	8
13	TECHNICAL DATA	8
14	HOW TO BATHE CORRECTLY WITH AQUA-COMFORT	9
	The rules	9
	Effect on the body and wellness	9
	Aromatherapy	10
	Rules for aromatherapy	10
	Aromatherapeutic bath additives	10
	Effects of the bath additives	11
	WARRANTY CARD	12

01 SAFETY INFORMATION



Danger to life! Danger of electric shock!

Ensure that no electrical devices are operating within the bath or in close proximity while using it. If an electrical device that is plugged in comes into contact with the water or oneself when bathing, fatal electric shocks may occur.



With appropriate supervision, this product can be used by children from age 8 and persons with reduced physical, sensory or mental capacity, as well as those without knowledge and experience of the product. Do not allow children to play with the product. Do not allow children to clean and perform maintenance on the product without supervision.

The bath with Aqua-Comfort can be used by anyone with a healthy cardiovascular system. If you are uncertain in this regard or if you have questions, please consult your doctor.

Do not use the bath with Aqua-Comfort if you are suffering from cold-like symptoms, infectious diseases, open wounds or inflammation. We recommend waiting until you have fully healed before using it.

Only use Repabad bath additives. Using other bath additives risks damaging the Aqua-Comfort system.

Depending on the frequency of use, you should disinfect the bath with Aqua-Comfort approximately every 4 weeks. Only use Repabad disinfectant. If other agents are used, there is risk of damage to the bath.



The installation instructions are part of the operating instructions, and must be stored together with them.

02 WELLNESS TIPS

The human body finds a water temperature between 35 and 36°C to be most pleasant. At a water temperature of 36°C, the bath duration should not exceed 20 minutes. At a water temperature of 38°C, you should bathe for no more than 10 minutes.

In order to become accustomed to the invigorating massage effect, keep the massage time short initially. The massage duration can be increased over time to suit your preference. After use, you should rest for at least as long as the time spent bathing.

03 DESIGN

The bath with Aqua-Comfort system is equipped with a fixed fan installed under the bathtub and a jet pump. The Champagne nozzles (combined air and water nozzles) are located at the base of the bathtub. When the Aqua-Comfort system is activated, these nozzles convey preheated air from the fan into the bath, while the pump generates fine jets of water. This creates tiny air bubbles for a pleasant and relaxing massage. At the same time, the therapeutic nozzles massage your back and feet with water.

The jet pump and fan are controlled via a control panel on the side of the bathtub.

04 BEFORE USE

- Rinse out the bath with cold water.
- Close the bathtub drain.
- Fill the bath with hot water.

Important: Since water must fill part of the piping system before the bathtub can be filled, it takes some time for the water to visibly collect in the tub.

To enable the use of Aqua-Comfort, fill the bath up to around the overflow with the user(s) inside.

05 DURING USE

Press the key on the side of the bathtub once to switch on the pump and the fan together.

The ● LED illuminates when the system is switched on.

Press the key again to switch the system off.

If the ● LED flashes when you press the key and only the fan starts, there is not enough water in the bath. In this case, add more water.

Safety shutdown

The pump switches off automatically 20 minutes after activation.

The pump remains in standby mode and can be reactivated at any time.



Loudspeaker safety shutdown

Whirlpool loudspeakers (a special accessory) are equipped with overload protection.

If the volume of the connected music system is set too high, overload protection is activated.

This results in the loudspeakers becoming considerably quieter or even being switched off. In this case, the volume of the music system must be reduced immediately. After a short period the loudspeakers will work normally again.

06 AFTER USE

First steps

- Turn off the system
- Open the bathtub drain and drain the water out completely
- Rinse out the bathtub with hot water

Automatic blow-out

- The air pipes are automatically dried after the bath is completely drained.
This is indicated by a double flashing of the indicator light.
- The fan is automatically de-activated after the end of the blow-out time (approx. 20 min.).

Afterwards

- Dry the nozzles and bathtub using a soft, non-abrasive and lint-free cloth
 - Leave the bathtub drain open
-

07 MANUAL BLOW-OUT

- When the bathtub is empty, press the key once to switch on the fan. The ● LED flashes.
This manually blows out the pipes.
Press the key again to switch the fan off.
-

08 DISINFECTION

Disinfectants cause skin irritation!

Ensure that you observe the safety instructions on the label of the disinfectant!
Keep disinfectants out of reach of children! You must not bathe in the bath whilst it is being disinfected!

Depending on the frequency of use, you should disinfect the bath roughly every 4 weeks. Only use Repabad disinfectant. If other agents are used, there is risk of damage to the bath.

Make sure the bath is filled up to **at least 5 cm** above the nozzles before disinfection!

- Add disinfectants to the water after bathing:
Use approx. 80 - 500 ml, depending on the bathtub size (concentration 100 ml to 100 l of water).
- Let the disinfectant solution react for approx. 30 minutes.
- During this time, allow the pump and the fan to run 3 times for 1 or 2 minutes.
Switch off the bath, open the bathtub drain and let the disinfectant solution drain out.
- The key flashes until automatic blow-out.
- After blow-out, dry the nozzles and bathtub using a soft, non-abrasive and lint-free cloth.
- Leave the bathtub drain open.

09 SERVICING

Cleaning the nozzles

If required, remove the lime scale deposits on the nozzles using Repabad "Special cleaner" (art. no. 0010276).

10 NOZZLE FUNCTION AND STRUCTURE

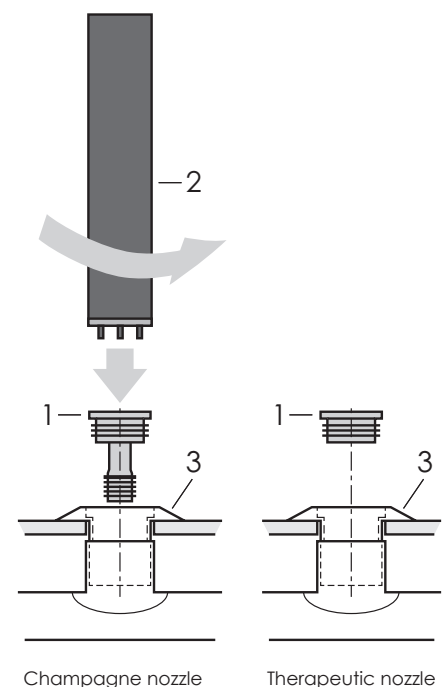
To enable cleaning, you can unscrew the nozzle inserts using the special keys (Champagne nozzles: art. no. 0035112, therapeutic nozzles: art. no. 0034796):

- To remove the inserts (1), carefully insert the metal pins of the key (2) into the holes on the nozzle caps, and unscrew in an anti-clockwise direction.

Do not twist or remove the nozzle body (3)!

- Screw the nozzle insert (1) back in flush with the chrome ring.

Removing the nozzle inserts (1) does not negatively affect the seal of the bath.

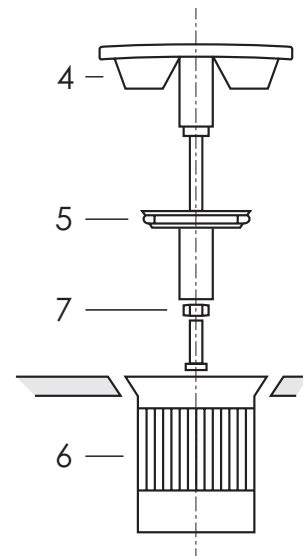


11 CLEANING THE DRAIN FILTER, ADJUSTING THE DRAIN PLUG

- Remove the drain cover (4) together with the drain plug (5) by lifting it upwards

Attention: The plug is only loosely fitted, it can fall out and damage the bath

- Clean the filter (6)
- You can adjust the drain plug using the adjustment screw (7)



12 TROUBLESHOOTING TECHNICAL PROBLEMS

PROBLEM	SOLUTION
1.No display on control panel	- Check the electricity supply
2.Key flashes when pressed and fan starts	- Not enough water in the bath - Fill up the bath to approx. 5-8 cm above the top nozzles
3.Key double flashes during/after draining.	- Automatic blow-out active, fan starts after timer period.
4.Both pump and fan switch off automatically.	- The system switches off automatically after around 20 min. via a timer. You can then reactivate it immediately. - Not enough water/water loss (see 2.) - Drain outlet is blocked/drain plug is incorrectly positioned. Tighten the adjustment screws by approx. 2-3 mm.
5.Irregular water pump suction. Fluctuating water nozzle output	- Adjust at the plug (see section 11)

13 TECHNICAL DATA

Connection	Via separately connected electricity supply Separate 2-pin residual current circuit breaker mandatory:
	RCD with $I \Delta N \leq 30 \text{ mA}$ (overvoltage category III)
Supply voltage	230 V AC, 50 Hz
Fuse without supplementary heating	16 A-B for 3 x 1.5 mm ² supply line
Connected load	1.3 kW

14 HOW TO BATHE CORRECTLY WITH AQUA-COMFORT

Immerse yourself in pleasantly hot water. The massage relaxes your muscles, relieving tension.

It stimulates the metabolism, has a positive effect on the vegetative nervous system, the brain releases “happy hormones” – you feel good all over.

We have compiled a few tips here that will help you better understand the positive effect of the Aqua-Comfort on body and mind, along with information on how to use these functions correctly.

The rules

1. The feeling and experience of the Aqua-Comfort function varies depending on the combination of time, massage and water temperature. Choose a short, cool massage to leave the bath feeling refreshed. A longer and warmer massage leaves one feeling relaxed and calm.
2. Scented oils have a lasting effect, depending on the feeling desired. If you wish to feel invigorated after bathing, use an energising aroma such as eucalyptus or lemon. Only use appropriate bath additives that produce little to no foam.

Effect on the body and wellness

- The connective tissue, muscles etc. feel weightless and therefore tension-free.
- The heat and moisture open the pores of the skin.
- The heat relieves tension and cramps, and gives a relaxed massage.
- The temperature on the surface of our skin determines how we feel.
- As a result of the opened pores, the skin's oxygen intake increases.
- The oxygen is transported better due to the even stimulation of blood flow.
- The aroma substances are both transported through the air and absorbed more effectively.
- The massaging movement has a relaxing effect, stimulating circulation.
- The high humidity soothes the respiratory tract, stabilising the mucous membranes.



Aromatherapy

Aromatherapeutic bath additives improve physical and mental well-being. Some aroma molecules penetrate the skin and then produce their effect, others stimulate the nerve endings when inhaled.

The nose registers the aromatic signals in just 2 seconds and passes them on to the part of the brain responsible for the memory and emotions.



Aromatherapeutic bath additives remain in the air for approximately 15 minutes; the nose becomes accustomed to the aroma quickly and stops transmitting scent signals. Nonetheless, you should not put more bath additives in the bath water. The concentration is sufficient to achieve the desired reaction. Too many aroma signals have the opposite effect.

Rules for aromatherapy

Only add aromatherapy bath additives once the bath is full and stir thoroughly so that the oil droplets are distributed evenly.

Once the body has absorbed aromatherapeutic bath additives via the skin, they remain effective for approximately 4-6 hours, provided no alcohol or beverages with caffeine are consumed.

Aromatic steam evaporates, so always close the door and windows in the bathroom if aromatherapeutic bath additives are used.

If the water temperature is high, the oil penetrates the skin more easily, so be careful with dosage if bath additives are used in hot bath water.

Aromatherapeutic bath additives

Bath additives from Repabad are ideally suited for use in baths with Aqua-Comfort and whirlpools, as they only foam a little and leave no deposits in the system. Their proportions of essential oils make them ideal care for the body and soothing to the soul. **Selection:** Mountain Pine, Eucalyptus, Camomile, Lavender, Mango, Rose Garden and Lemon Grass.



Please note:

The tips listed above are general recommendations.
If you have health problems, please consult a doctor first.

Effects of the bath additives

The effects mentioned should only be viewed as examples, as the aromas have different effects on different people.

COMPLAINTS	TEMPERATURE	WHIRL TIME	REPABAD BATH ADDITIVES*	SPECIALITIES
Boosting the body's defences	28°C or lower	7 min.	Eucalyptus, Lavender	In the morning
Boosting the body's defences	38°C or higher	7 min.	Eucalyptus, Lavender	In the evening
A cold	38°C	30 min.	Eucalyptus, Camomile, Mountain Pine	We recommend a good night's sleep afterwards
Migraine	32°C	10 min.	Camomile	If possible, at the outset of the migraine, making sure to rest afterwards
Muscle ache	38°C	10 min.	Camomile	A jacuzzi bath before/ after exercise
Tiredness	38°C	25 min.	Lavender	In the evening before going to bed
Tiredness	30°C	10 min.	Lemon Grass, Mango	In the morning after getting up
Insomnia	38°C	30 min.	Lavender	
Stress	37°C	25 min.	Camomile, Lavender	

* Please do not use any bath additives containing oil, or which produce foam.

Send in the warranty card only in the event of a complaint.

WARRANTY CARD

for **repaBAD** baths with Aqua-Comfort

We grant a 5-year warranty on the **repaBAD** bath with Aqua-Comfort supplied by us in accordance with our general terms and conditions, provided that the product is installed and used correctly and the care instructions are followed.

This warranty begins on the day of delivery by **repaBAD**. Any potential claim must be notified to the specialist fitter from whom our product was purchased, specifying the data provided below.

Delivered on:

Customer's address:

Invoice no.:

Reason for complaint:

Specialist fitter's address

Fitter's stamp / signature

TECHNICAL SUPPORT HOTLINE

+49 (0) 70 24/94 11-88

repaBAD®

repaBAD GmbH
Bosslerstraße 13-15
D-73240 Wendlingen
Telephone +49 (0)70 24/94 11-0
Telefax +49 (0) 70 24/94 11 -30
info@repabad.com
www.repabad.com